

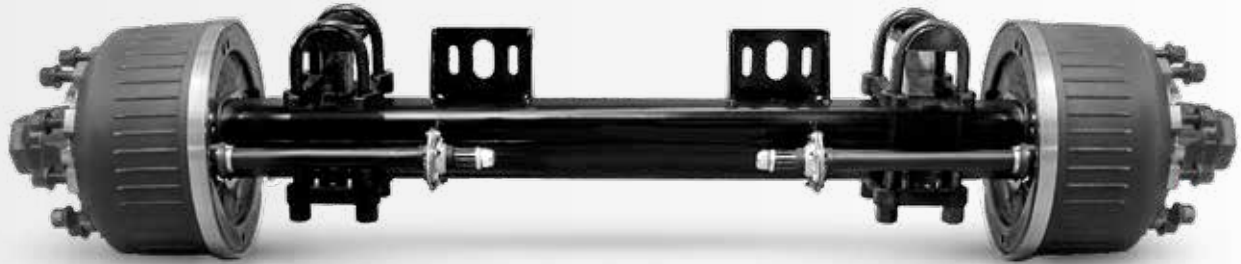
Stock and Experience !
Quality and Trust !





DRUM AXLE

Stock and Experience • Quality and Trust ! • Stock and Experience • Quality and Trust !



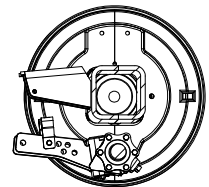
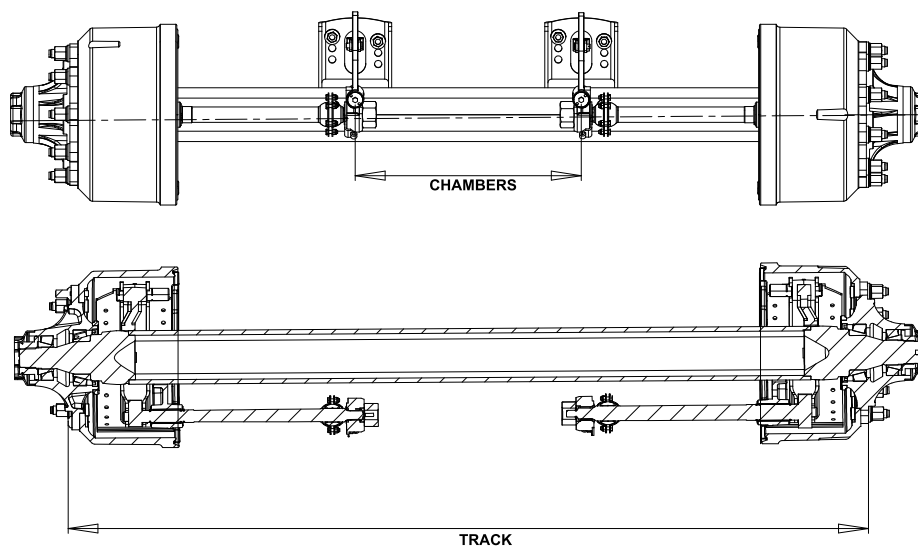
go to web page

Technical Details

Reference: 30.40.744.564

Type	Track	Chambers	Beam	Bearing
12 Ton Pilot	2080 mm.	600 mm.	140 x 14 mm	33213 - 218248
12 Ton Double	1840 mm.	360 mm.	140 x 14 mm	33213 - 218248
14 Ton Double	1840 mm.	360 mm.	140 x 14 mm	33019 - 33215
16 Ton Double	1840 mm.	360 mm.	140 x 14 mm	32314 - 32222

Technical Specifications





DRUM AXLE KIT

Stock and Experience • Quality and Trust ! • Stock and Experience • Quality and Trust !



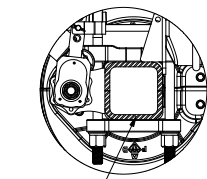
go to web page

Technical Details

Reference: 61.40.064.027

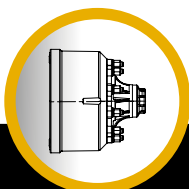
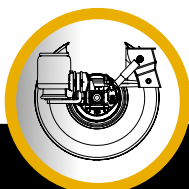
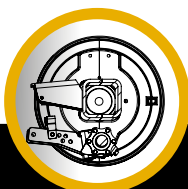
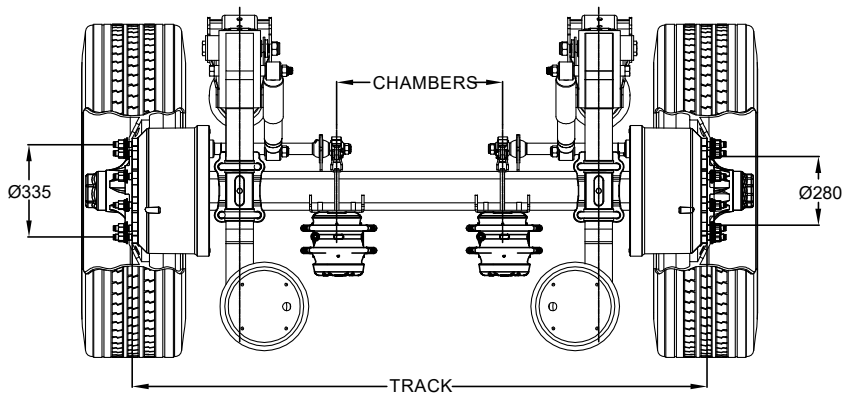
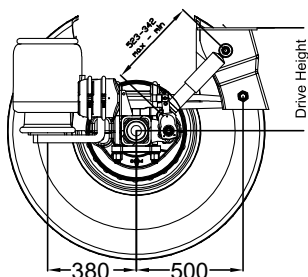
Type	Track	Chambers	Beam	Bearing
12 Ton Pilot	2080 mm.	600 mm.	140 x 14 mm	33213 - 218248
12 Ton Double	1840 mm.	360 mm.	140 x 14 mm	33213 - 218248
14 Ton Double	1840 mm.	360 mm.	140 x 14 mm	33019 - 33215
16 Ton Double	1840 mm.	360 mm.	140 x 14 mm	32314 - 32222

Technical Specifications



140x140x14mm

DETAIL B





DRUM AXLE KIT

Stock and Experience • Quality and Trust ! • Stock and Experience • Quality and Trust !



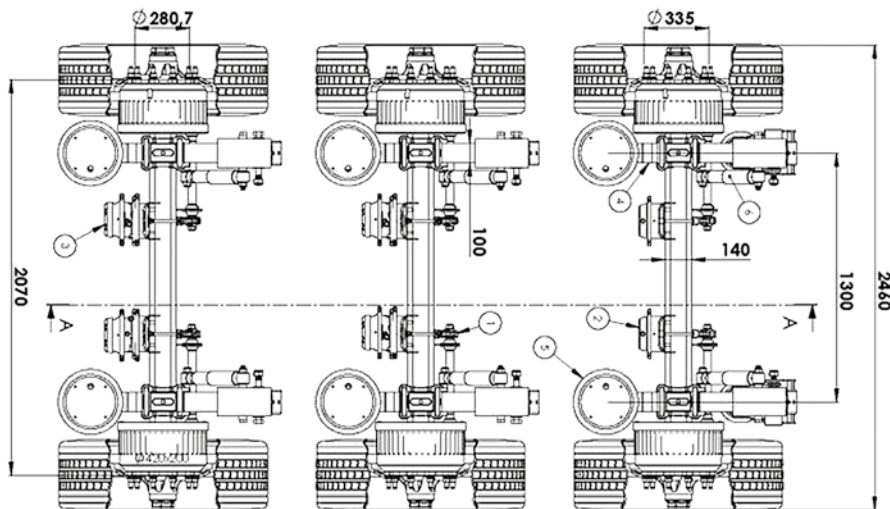
go to web page

Technical Details

Reference: 61.40.064.027

Type	Track	Chambers	Beam	Bearing
12 Ton Pilot	2080 mm.	600 mm.	140 x 14 mm	33213 - 218248
12 Ton Double	1840 mm.	360 mm.	140 x 14 mm	33213 - 218248
14 Ton Double	1840 mm.	360 mm.	140 x 14 mm	33019 - 33215
16 Ton Double	1840 mm.	360 mm.	140 x 14 mm	32314 - 32222

Technical Specifications





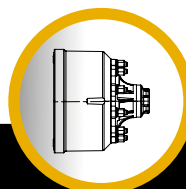
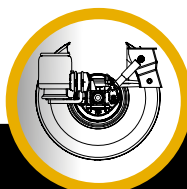
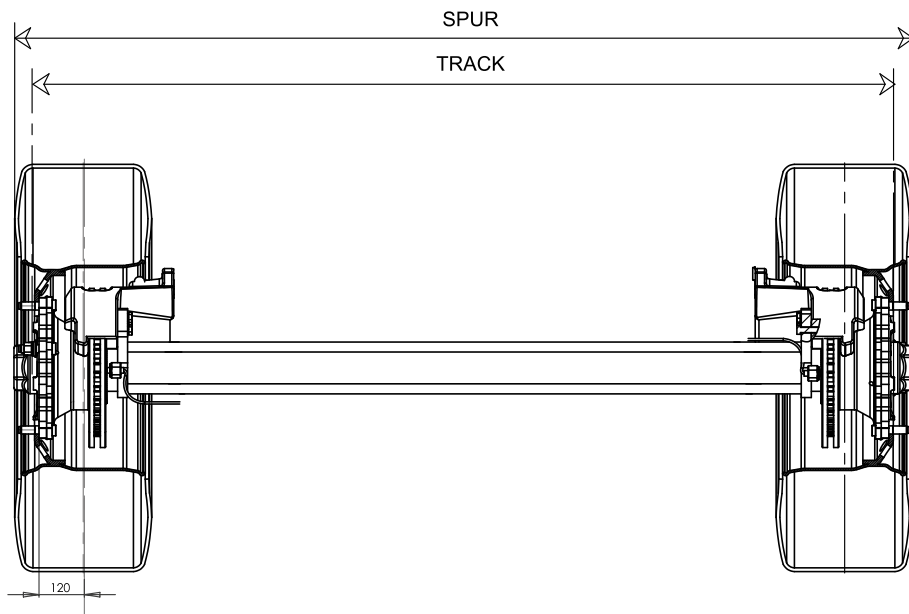
go to web page

Technical Details

Reference: 27.58.617.053

Type	Track	Brake	Beam	Bearing	Spur
12 Ton	2290 mm	420 x 200 mm	140 x 12 mm	33213 - 218248	2430 mm

Technical Specifications





DISC AXLE KIT

Stock and Experience • Quality and Trust ! • Stock and Experience • Quality and Trust !



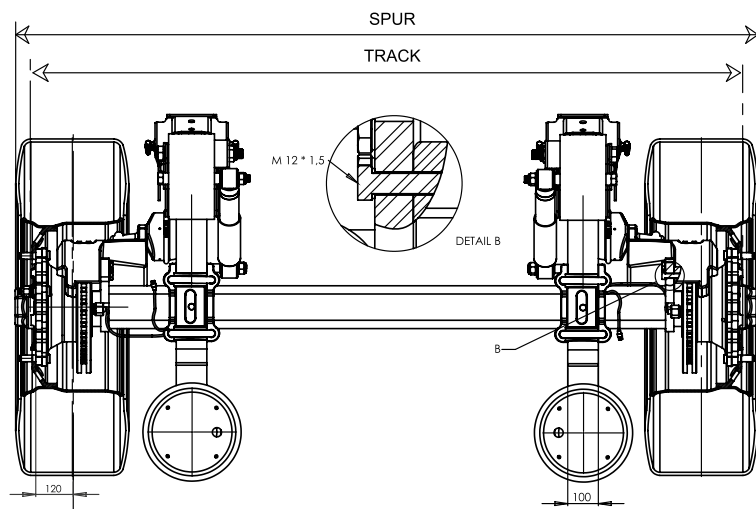
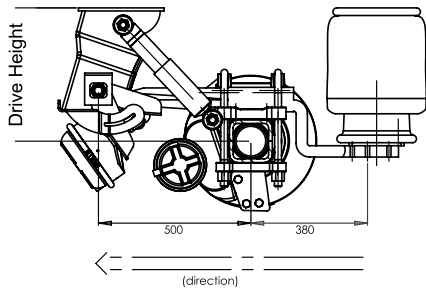
go to web page

Technical Details

Reference: 61.58.088.615

Type	Track	Brake	Beam	Bearing	Spur
12 Ton	2290 mm	420 x 200 mm	140 x 14 mm	33213 - 218248	2430 mm

Technical Specifications





JUMBO AXLE KIT

Stock and Experience • Quality and Trust ! • Stock and Experience • Quality and Trust !



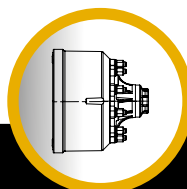
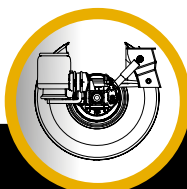
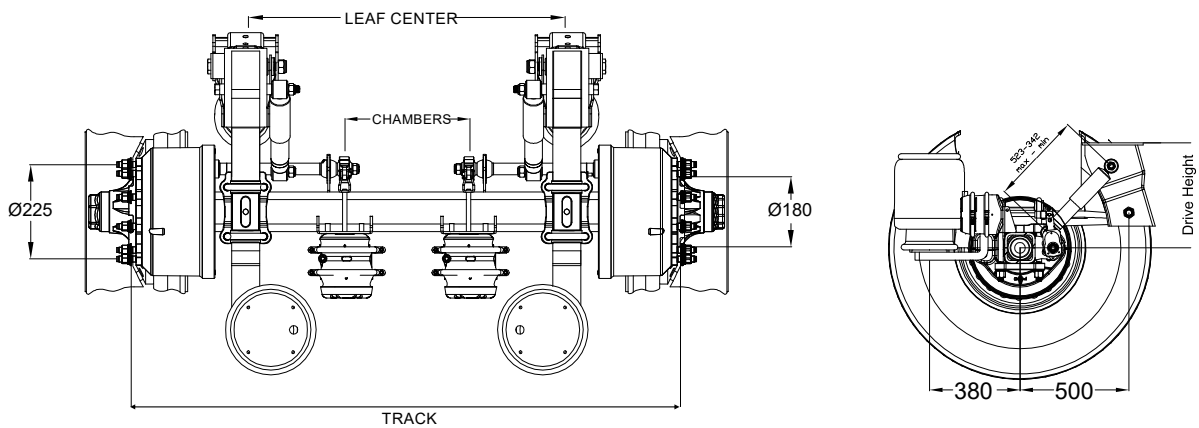
go to web page

Technical Details

Reference: 30.10.546.829

Type	Track	Chambers	Beam	Bearing
17.5 Rim	1840 mm.	360 mm.	140 x 14 mm	33213 - 218248
19.5 Rim	1840 mm.	360 mm.	140 x 14 mm	33213 - 218248

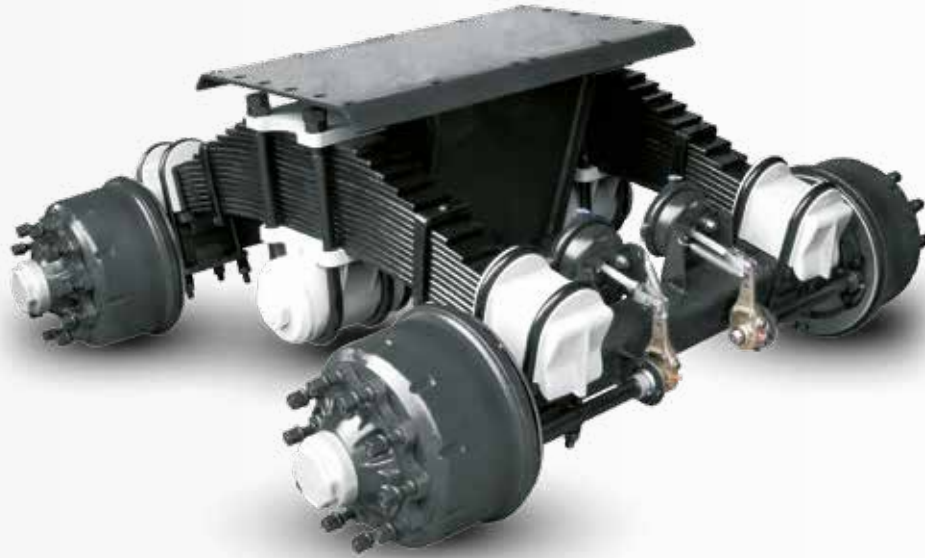
Technical Specifications



BOGIE TANDEM AXLE KIT



Stock and Experience • Quality and Trust ! • Stock and Experience • Quality and Trust !

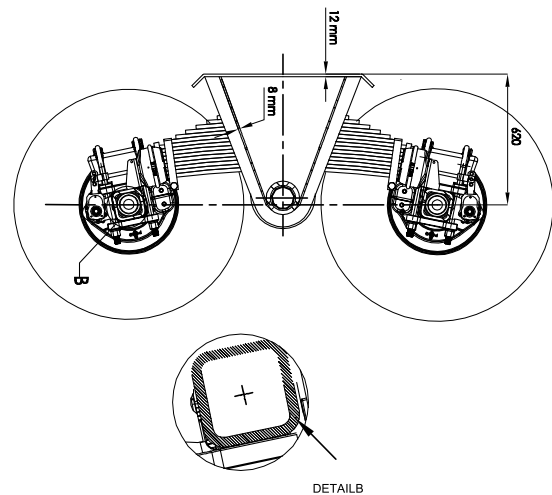
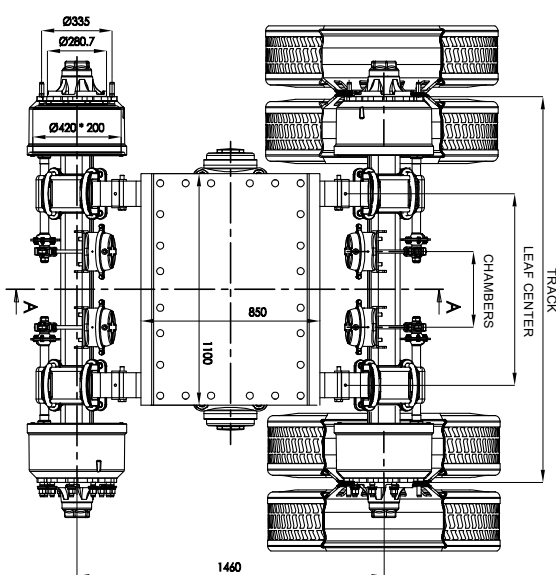


go to web page

Technical Details

Type	Track	Leaf Center	Chambers	Beam	Bearing
12 Ton Double	1840 mm.	910 mm.	360 mm.	140 x 14 mm	33213 - 218248
14 Ton Double	1840 mm.	910 mm.	360 mm.	140 x 14 mm	33019 - 33215
16 Ton Double	1840 mm.	910 mm.	360 mm.	140 x 14 mm	32314 - 32222

Technical Specifications





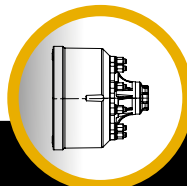
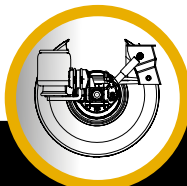
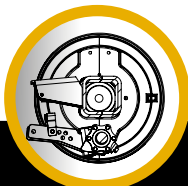
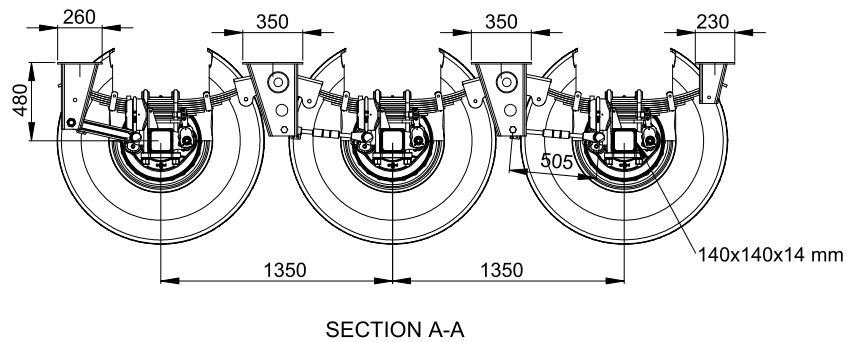
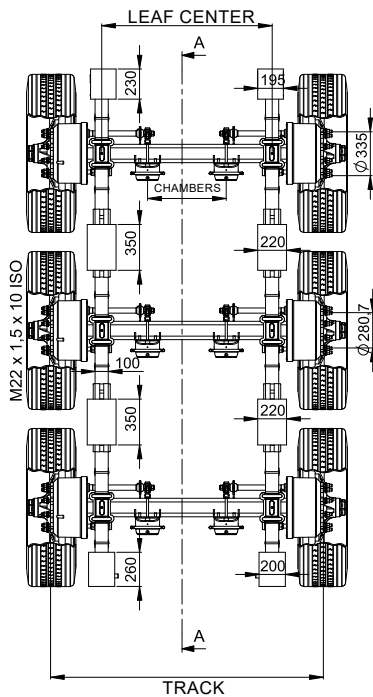
go to web page

Technical Details

Reference: 21.10.723.584

Type	Track	Chambers	Beam	Bearing
12 Ton Tridem	1840 mm.	360 mm.	140 x 14 mm	33213 - 218248
14 Ton Tridem	1840 mm.	360 mm.	140 x 14 mm	33019 - 33215
16 Ton Tridem	1840 mm.	360 mm.	140 x 14 mm	32314 - 32222

Technical Specifications



Stock and Experience !
Quality and Trust !



Trailer Parts / TRAILER SPRINGS

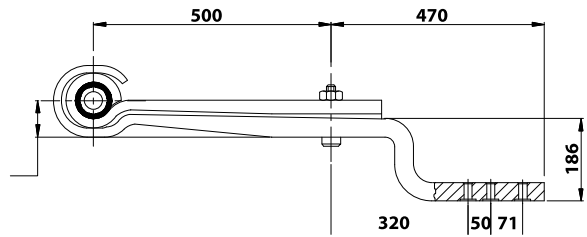


TRAILER LEAF SPRING

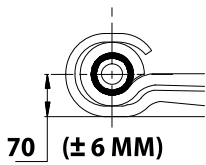
Stock and Experience • Quality and Trust ! • Stock and Experience • Quality and Trust !



PARABOLIC Z SPRING



Technical Drawing



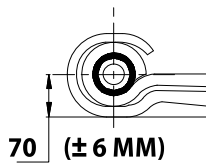
Technical Details

Reference: 05.082.12.63.0

35/100 MM 57 MM BUSHING

CODE: PT21111000001

Technical Drawing



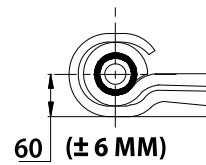
Technical Details

Reference: 05.082.12.63.0

38/100 MM 57 MM BUSHING

CODE: PT21111000002

Technical Drawing



Technical Details

Reference: 05.082.12.63.0

38/100 MM 68 MM BUSHING

CODE: PT21111000003



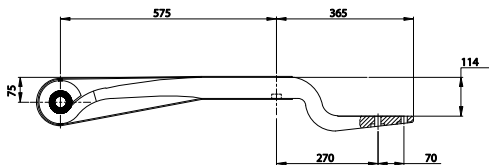
go to web page



PARABOLIC Z SPRING W/SAFETY



Technical Drawing



Technical Details

Reference: 05.082.13.95.0

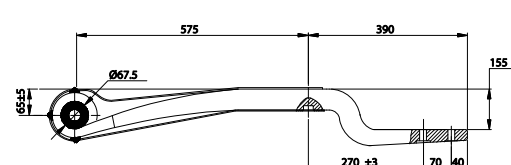
62/70 MM 60 MM BUSHING

CODE: PT21120000001



go to web page

Technical Drawing



Technical Details

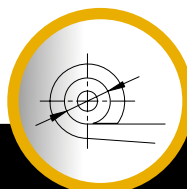
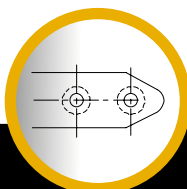
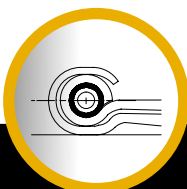
Reference: 05.082.13.95.0

52/100 MM 68 MM BUSHING

CODE: PT21120000001



go to web page

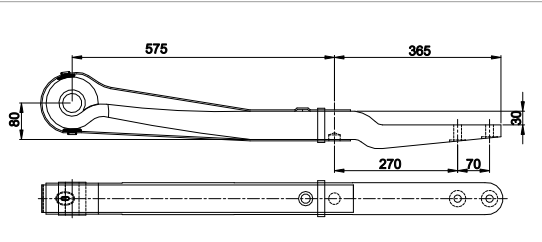




FLAT SPRING



Technical Drawing



Technical Details

Reference: 05.082.13.96.0

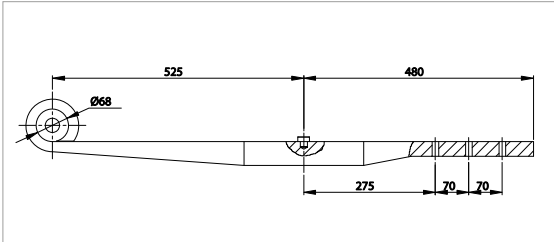
62/70 MM 60 MM BUSHING

CODE: PT21221000001

LOWBED SPRING



Technical Drawing



Technical Details

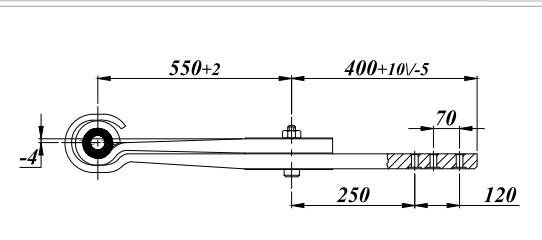
50 / 100 MM LOWBED 68 MM BUSHING

CODE: PT21212000002

LOWBED SPRING DOUBLE LAYER



Technical Drawing



Technical Details

Reference: 05.082.13.21.0

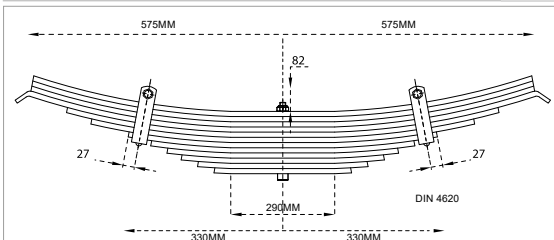
35/100 MM LOWBED 57 MM BUSHING

CODE: PT21211000001

SPRING LEAVES



Technical Drawing



Technical Details

Reference: 05.082.04.02.0

TYPE	CODE
100 x 12 10 Leaves	PT21300000001
100 x 12 12 Leaves	PT21300000002
100 x 12 14 Leaves	PT21300000003

Stock and Experience !
Quality and Trust !



Trailer Parts / AIR SPRING



PT 813-K

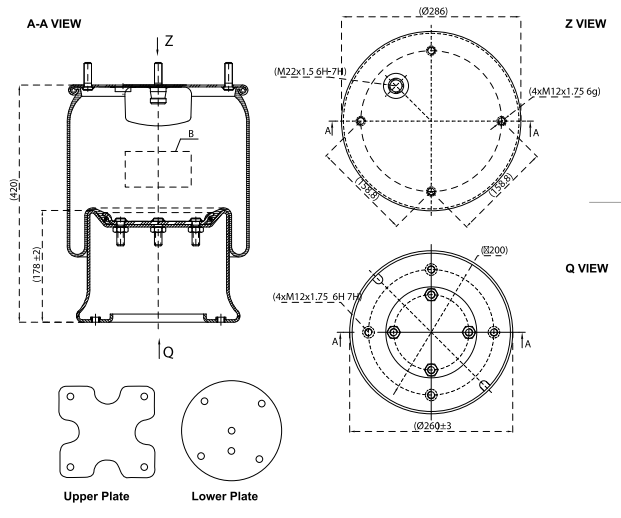
TRAILER AIR SPRING ASS'Y



go to web page



Technical Details	Reference: 2.229.2103.00
AIR SPRING COMPLETE: PT2210000813K	AIR SPRING ASSEMBLY: PT22200000813
SPRING LOWER PLATE : PT22640000001	SPRING UPPER PLATE : PT22640000002



PT 881-K

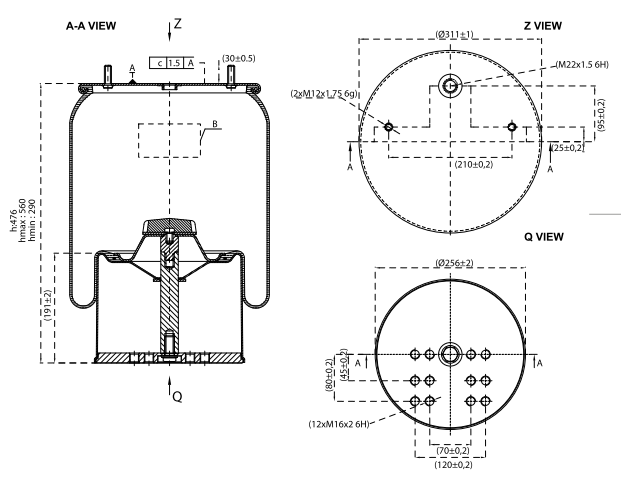
TRAILER AIR SPRING ASS'Y



go to web page



Technical Details	Reference: 05.429.43.51.0
AIR SPRING COMPLETE: PT22100881K01	AIR SPRING ASSEMBLY: PT22200000881



PT 4881-K

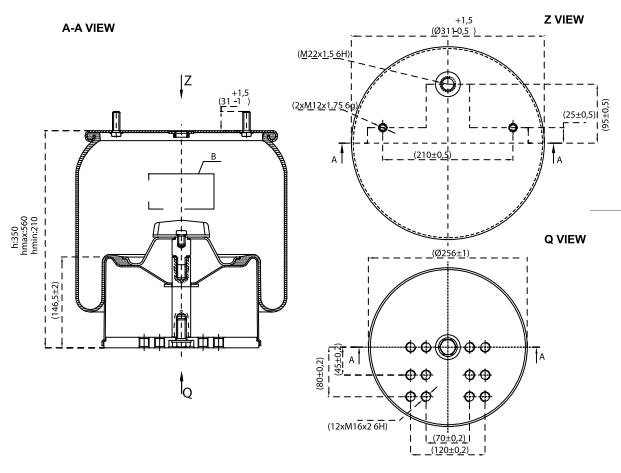
TRAILER AIR SPRING ASS'Y



go to web page



Technical Details	Reference: 05.429.43.39.0
AIR SPRING COMPLETE: PT22104881K01	AIR SPRING ASSEMBLY: PT222000004881





PT 940-K

TRAILER AIR SPRING ASS'Y



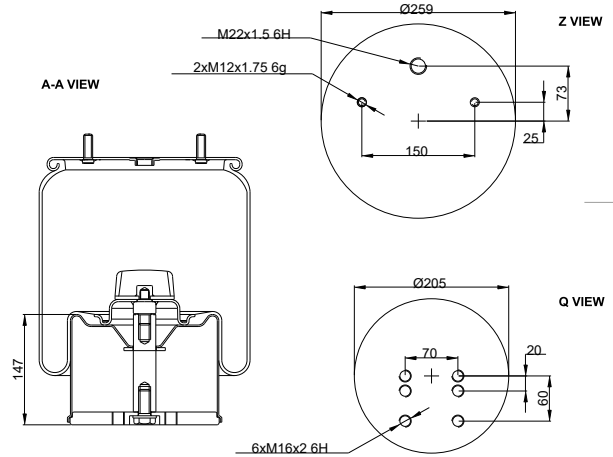
Technical Details

Reference: 05.429.43.21.0

AIR SPRING COMPLETE: PT22100940K01

AIR SPRING ASSEMBLY: PT22200000940

AIR SPRING COMPLETE (COMPOSITE PISTON): PT2210940KP1



PT 941-K

TRAILER AIR SPRING ASS'Y



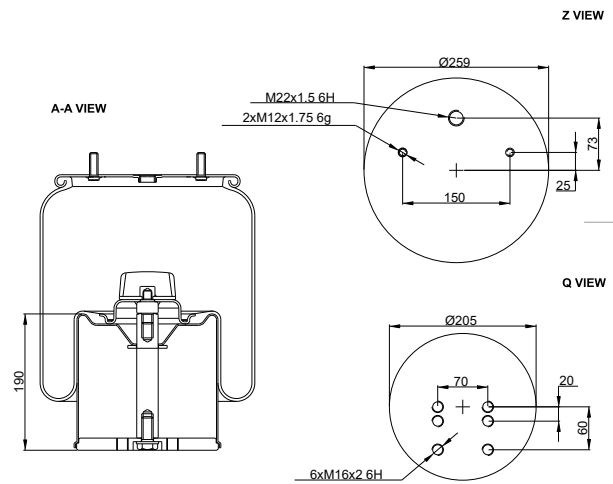
Technical Details

Reference: 05.429.43.31.0

AIR SPRING COMPLETE: PT22100941K01

AIR SPRING ASSEMBLY: PT22200000941

AIR SPRING COMPLETE (COMPOSITE PISTON): PT2210941KP1



PT 810-K

TRAILER AIR SPRING ASS'Y

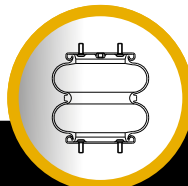
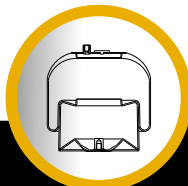
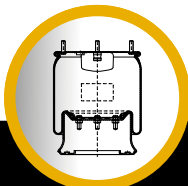
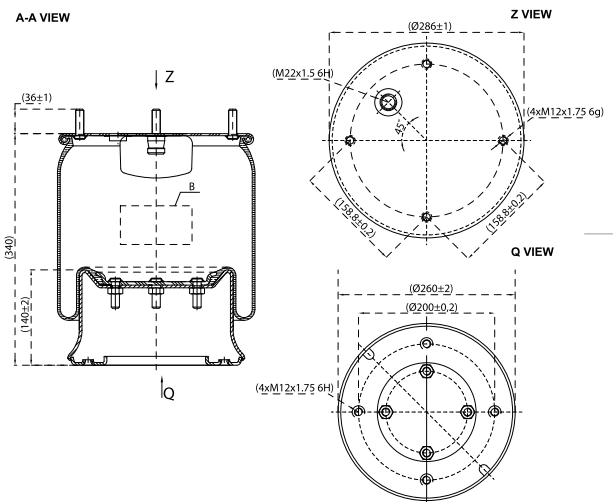


Technical Details

Reference: 3.229.0027.00

AIR SPRING COMPLETE: PT2210000810K

AIR SPRING ASSEMBLY: PT22200000810





2PT 220 YM

TRAILER AIR SPRING ASS'Y



go to web page



Technical Details

Reference: 2B-220

220 - 05 LIFTING AIR BAG STANDART: PT22400022005

A-A VIEW

200

Ø220

G1/4"

2xM10x1.5 6g

Ø160

Z VIEW

89

2xM10x1.5 6g

Ø160

STANDART Q VIEW

89

2PT 220 EM

TRAILER AIR SPRING ASS'Y



go to web page



Technical Details

Reference: 2B-220

220 - LIFTING AIR BAG STANDART: PT22400000220

A-A VIEW

200

Ø220

G1/4"

2xM10x1.5 6g

Ø160

Z VIEW

89

2xM10x1.5 6g

Ø160

STANDART Q VIEW

89

Stock and Experience !
Quality and Trust !



Trailer Parts / CONNECTING EQUIPMENTS

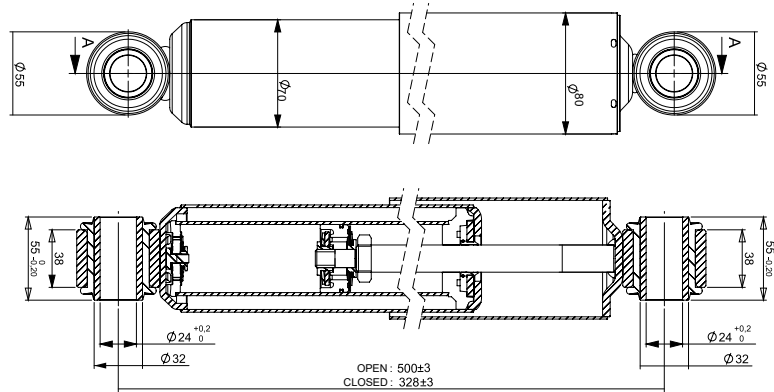


MAYSAN SHOCK ABSORBER (N6594102)



Technical Drawing

go to web page



Technical Details

Reference:

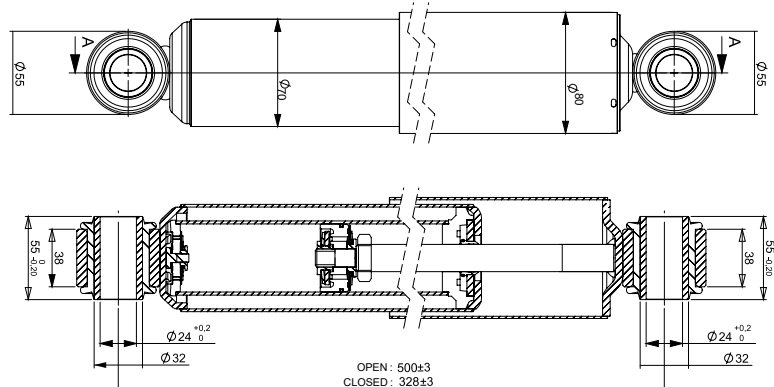
CODE: PT23100000006

PORTER SHOCK ABSORBER



Technical Drawing

go to web page



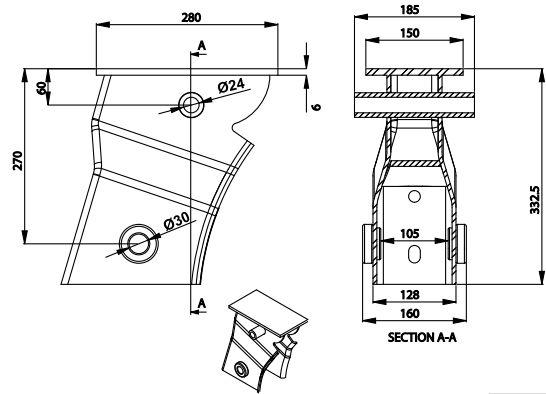
Technical Details

Reference:

CODE: PT23100000005



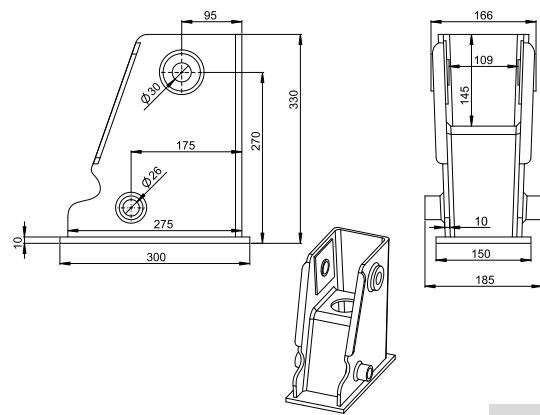
HANGER BRACKET



go to web page

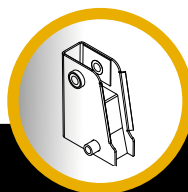
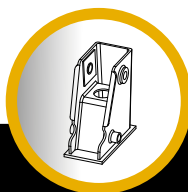
<p>⚙️ Technical Details</p> <p>27 CM / 6 MM HANGER BRACKET</p>	<p>Reference: 05.375.40.65.0</p> <p>CODE: PT24121100004</p>	<p>⚙️ Technical Details</p> <p>27 CM / 8 MM HANGER BRACKET</p>	<p>Reference: 05.375.40.65.0</p> <p>CODE: PT24121100005</p>	<p>⚙️ Technical Details</p> <p>32 CM / 8 MM HANGER BRACKET</p>	<p>Reference: 05.375.40.65.0</p> <p>CODE: PT24121100007</p>
--	---	--	---	--	---

HANGER BRACKET



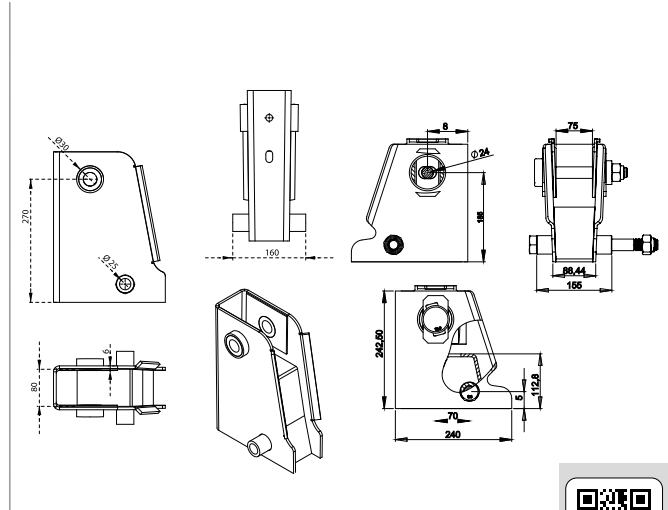
go to web page

<p>⚙️ Technical Details</p> <p>27 CM / 10 MM HANGER BRACKET</p>	<p>Reference: 05.375.44.33.0</p> <p>CODE: PT24121100006</p>	<p>⚙️ Technical Details</p> <p>32 CM / 10 MM HANGER BRACKET</p>	<p>Reference: 05.375.44.33.0</p> <p>CODE: PT24121100009</p>	<p>⚙️ Technical Details</p> <p>37 CM / 10 MM HANGER BRACKET</p>	<p>Reference: 05.375.44.33.0</p> <p>CODE: PT24121100008</p>
---	---	---	---	---	---





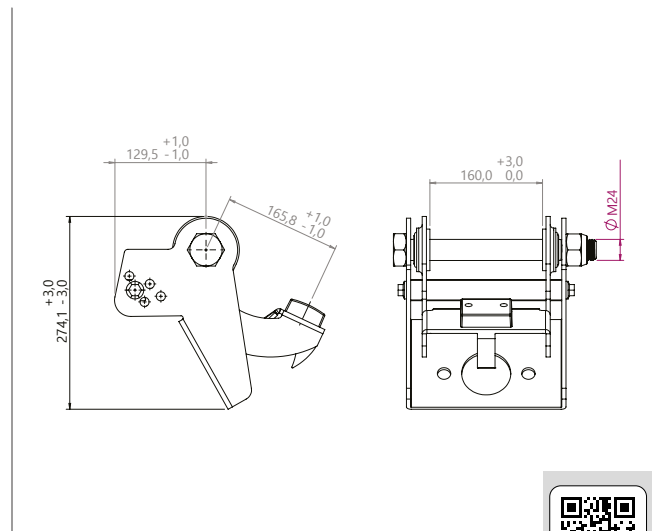
HANGER BRACKETS



go to web page

Technical Details	Reference: 05.375.44.23.0	Technical Details	Reference: 05.375.44.23.0
27 CM / 6 MM HANGER BRACKET	CODE: PT24122100004	18,4 CM / 6 MM HANGER BRACKET	CODE: PT24121100001

LIFTING DEVICE DISC TYPE 24MM

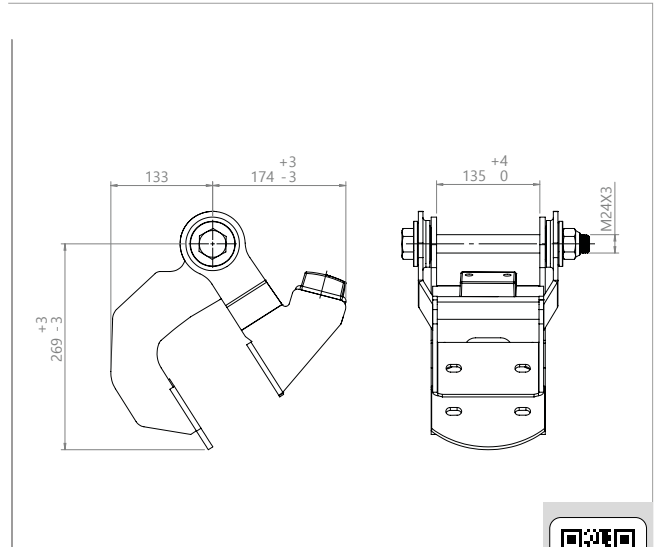


go to web page

Technical Details	LIFTING DEVICE DISC TYPE CODE: PT24132000003
-------------------	---



LIFTING DEVICE DISC TYPE 100MM



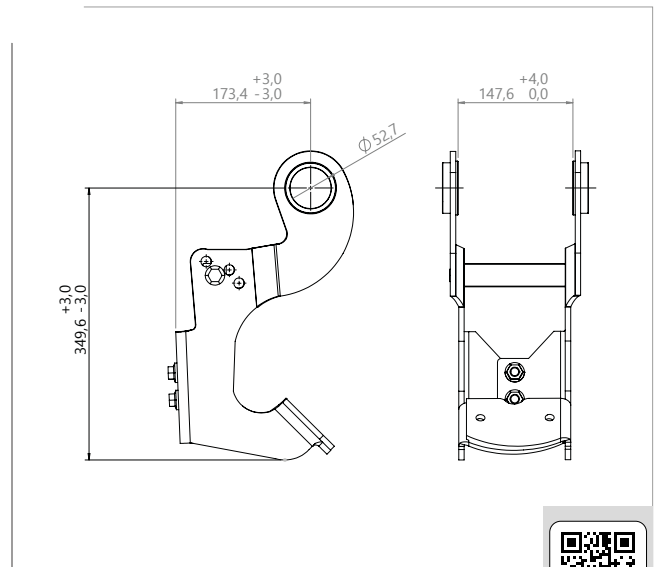
go to web page

Technical Details

LIFTING DEVICE DISC TYPE

CODE: PT24132000011

LIFTING DEVICE SAF NEW MODEL

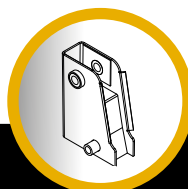
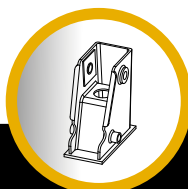


go to web page

Technical Details

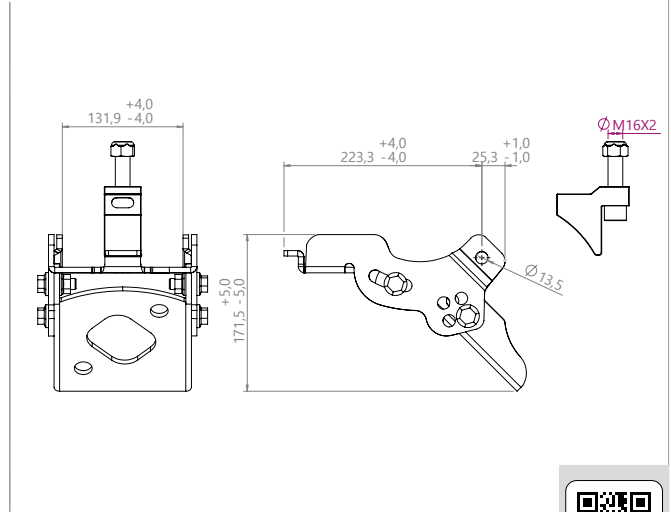
LIFTING DEVICE

CODE: PT24132000014





LIFTING DEVICE ECO PLUS

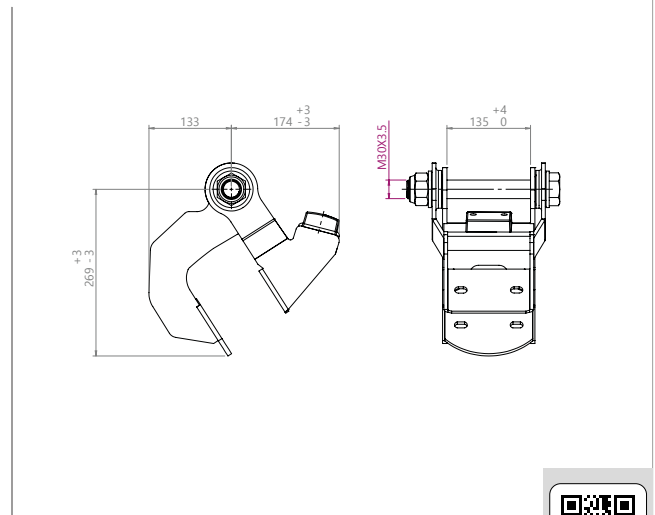


Technical Details

LIFTING DEVICE ECO PLUS

CODE: PT24132000001

LIFTING DEVICE DISC TYPE 70 MM



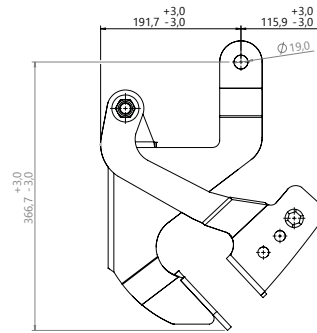
Technical Details

LIFTING DEVICE DISC TYPE

CODE: PT24132000012



LIFTING DEVICE WEWELER



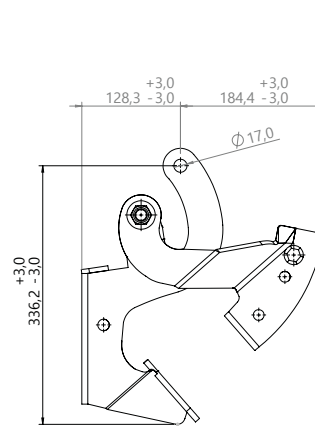
go to web page

Technical Details

LIFTING DEVICE WEWELER

CODE: PT24132000017

LIFTING DEVICE SCHMITZ

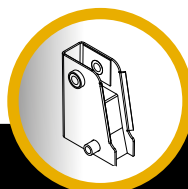
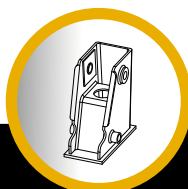


go to web page

Technical Details

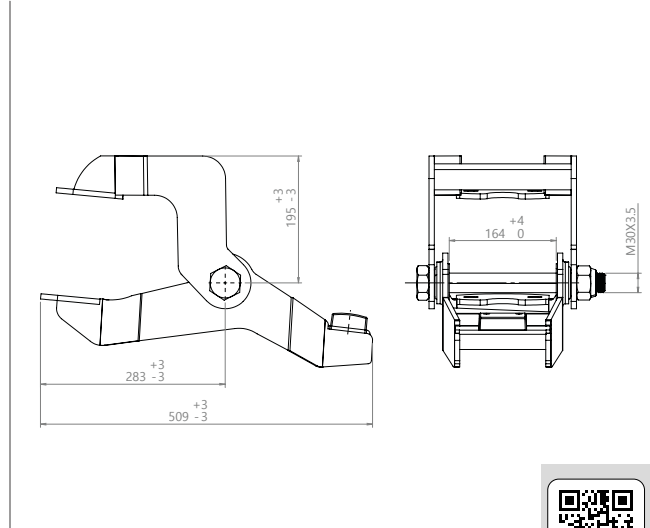
LIFTING DEVICE SCHMITZ

CODE: PT24132000016





LIFTING DEVICE LOWBED

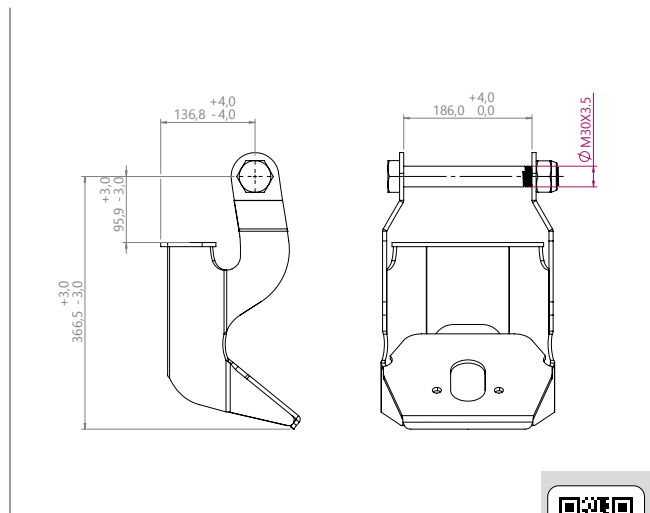


Technical Details

LIFTING DEVICE LOWBED

CODE: PT24132000013

LIFTING DEVICE SAF TYPE OLD MODEL



Technical Details

LIFTING DEVICE SAF TYPE

CODE: PT24132000015



MIDDLE CAP



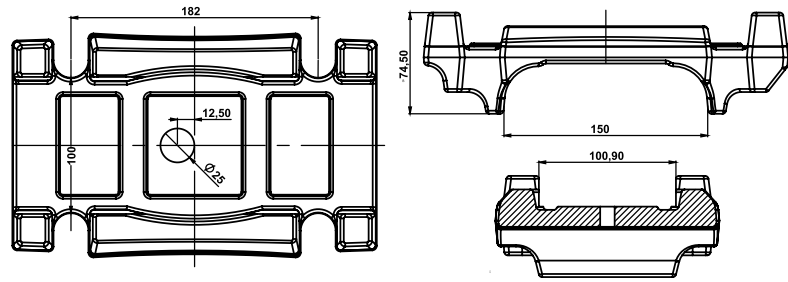
Technical Details

CODE: PT11300000029

SPRING PAD 100 MM W / SHOCK ABSORBER PIN



go to web page



LOWER CAP



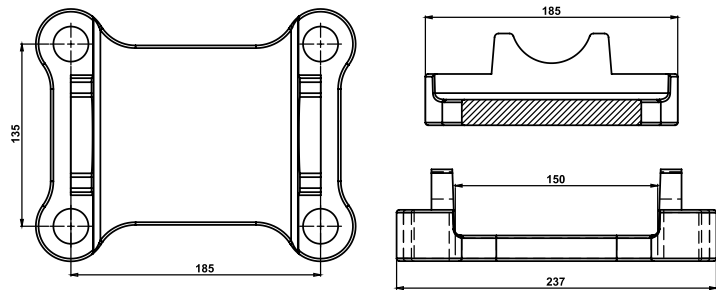
Technical Details

CODE: PT11300000030

LOWER CAP 100 MM



go to web page



UPPER CAP



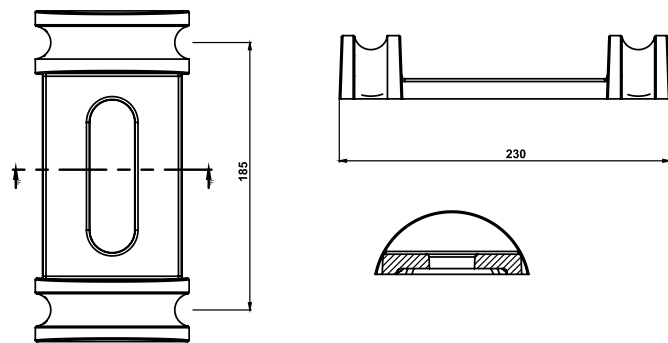
Technical Details

CODE: PT11300000028

UPPER CAP 100 MM



go to web page



U BOLT



Technical Details

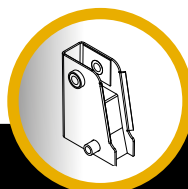
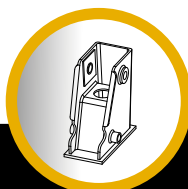
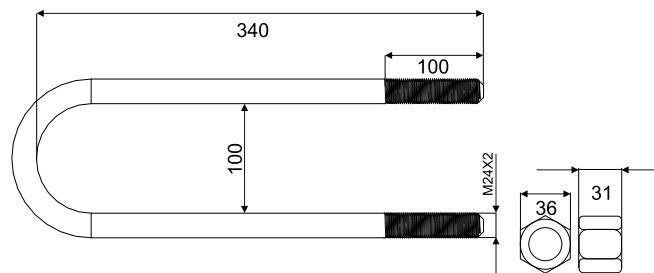
Reference: 03.138.44.18.4

CODE: PT11300000039

U BOLT W/NUTS 24X10X34 CM



go to web page



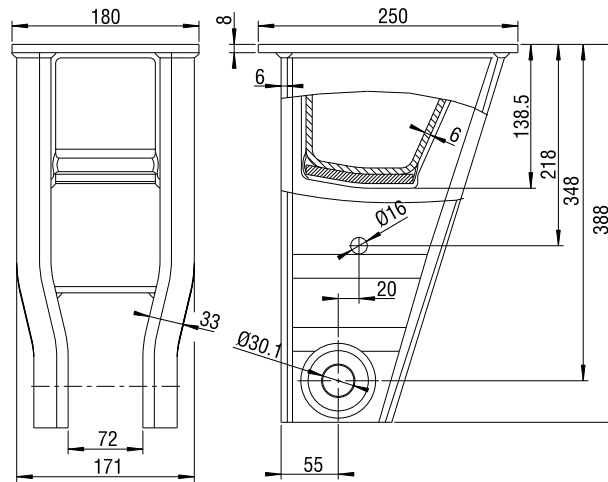


FRONT HANGER BRACKET



Technical Details

Reference: 05.375.61.25.0 CODE: PT24220000001

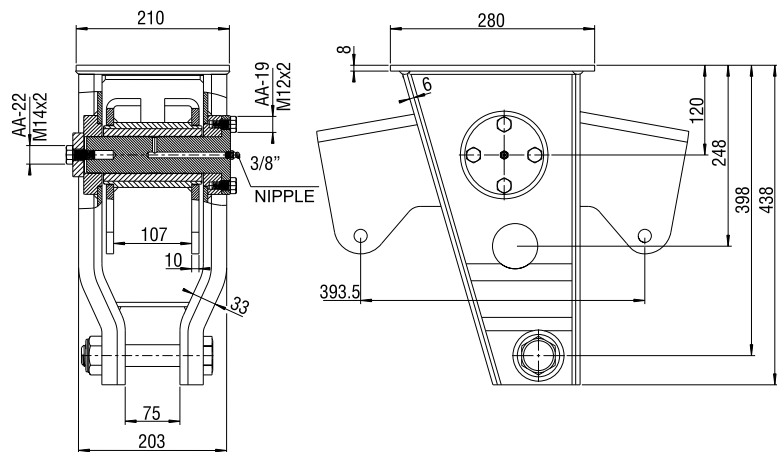


EQUALIZER BRACKET



Technical Details

Reference: 05.292.11.95.0 CODE: PT24220000003

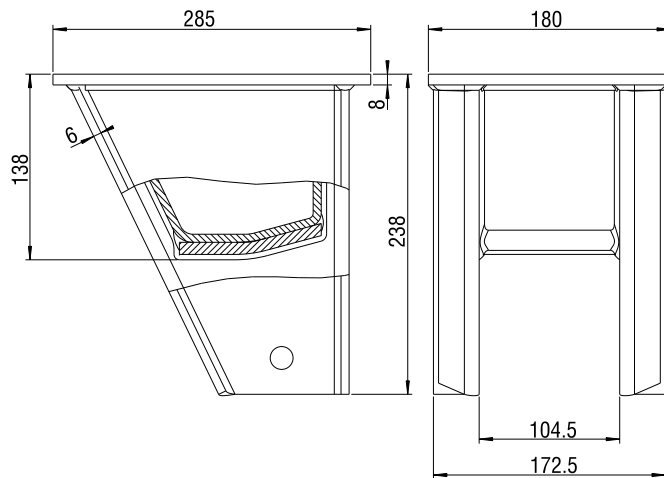


REAR HANGER BRACKET



Technical Details

Reference: 05.375.61.24.0 CODE: PT24220000002





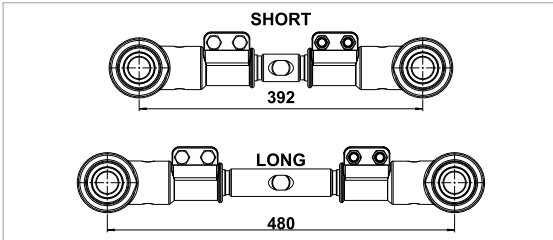
ADJUSTABLE BOGIE ARM



Technical Drawing



go to web page



Technical Details

Reference: 05.443.70.77.0

392 MM

CODE: PT24230000002

480 MM

CODE: PT24230000004

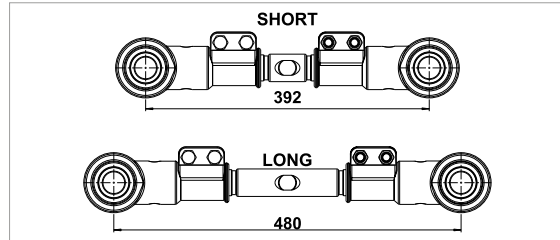
STABLE BOGIE ARM



Technical Drawing



go to web page



Technical Details

Reference: 05.443.47.15.0

392 MM

CODE: PT24230000003

480 MM

CODE: PT24230000005

BOLTS



Technical Details



go to web page

CODE: Please call us for various pins.

36' CHAMBER



Technical Details



go to web page

Reference: 05.444.10.37.0

CODE: :PT33100000008

SLACK SPRING
SHORT / LONG



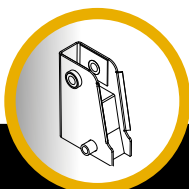
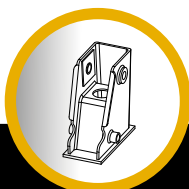
Technical Details



go to web page

SHORT CODE: :PT35300000003

LONG CODE: :PT35300000002



Stock and Experience !
Quality and Trust !



Trailer Parts / BRAKE EQUIPMENTS



AUTOMATIC SLACK ADJUSTER HALDEX



go to web page

Technical Details

Reference: 05.574.82.87.3 **CODE:** :PT35220000002



AUTOMATIC SLACK ADJUSTER TM



go to web page

Technical Details

Reference: 05.574.82.87.3 **CODE:** :PT35100000003



MANUAL SLACK ADJUSTER



go to web page

Technical Details

4 HOLES CODE: :PT35100000004 **7 HOLES CODE:** :PT35100000005



AIR TANK WITHOUT BASE



go to web page

Technical Details

30 L 255X650	CODE: PT360000000004
40 L 280X735	CODE: PT360000000005
40 L 255X850	CODE: PT360000000006
60 L 380X575	CODE: PT360000000007
60 L 320X820	CODE: PT360000000008
80 L 380X750	CODE: PT360000000009



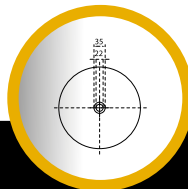
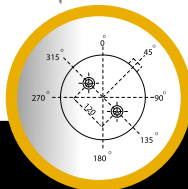
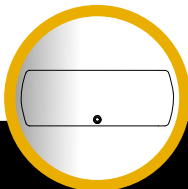
AIR TANK WITH BASE



go to web page

Technical Details

60 L 380X575	CODE: PT360000000011
80 L 380X750	CODE: PT360000000012





DRUM SPRING BRAKE



go to web page

Technical Details

24X30 DRUM SPRING BRAKE 30X30 DRUM SPRING BRAKE

ARFESAN : PT3310000002 ARFESAN : PT3310000004

PORTER : PT3320000002 PORTER : PT3320000004

DRUM SPRING CHAMBER



go to web page

Technical Details

24 DRUM BRAKE CHAMBER 30 DRUM BRAKE CHAMBER

ARFESAN : PT3310000001 ARFESAN : PT3310000003

PORTER : PT3320000001 PORTER : PT3320000003

DRUM SPRING CHAMBER



go to web page

Technical Details

16X24 DISC SPRING BRAKE RIGHT

CODE : PT3310000006

Reference: 03.130.00.40

AIR TANK CLAMP KIT



go to web page

Technical Drawing

MATERIAL	METAL
380 MM SET	CODE: PT3610000006
320 MM SET	CODE: PT3610000005
280 MM SET	CODE: PT3610000007

AIR TANK CLAMP KIT



go to web page

Technical Drawing

MATERIAL	PLASTIC	METAL
270 MM SET	CODE: PT3610000002	CODE: PT3610000001
380 MM SET	CODE: PT3610000003	CODE: PT3610000004

DISC BRAKE CHAMBER



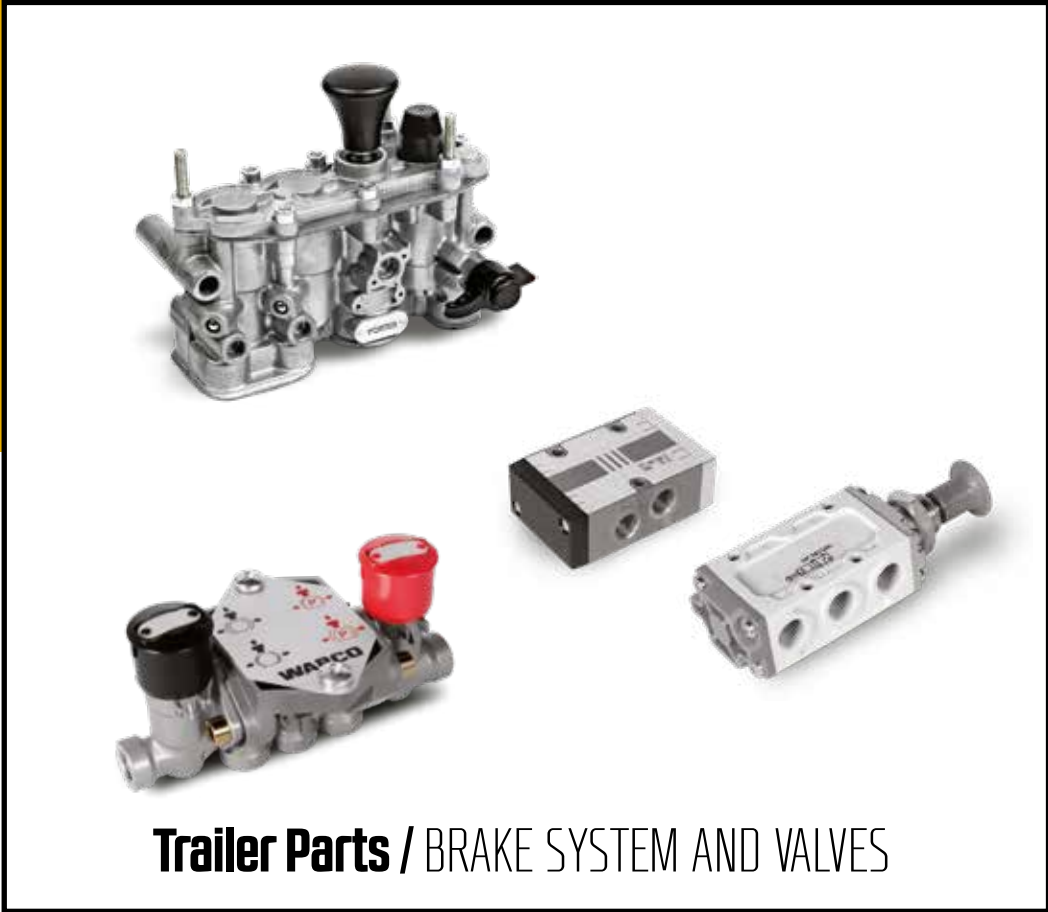
go to web page

Technical Details

16 DISC BRAKE CHAMBER Reference: 01.116.00.05

CODE : PT3320000005

Stock and Experience !
Quality and Trust !



Trailer Parts / BRAKE SYSTEM AND VALVES



go to web page

Technical Details

SET CODE : PT31000000002

Reference: 400 602 898 0

Type	Product Name	PCS
400 500 081 0	ABS MODULATOR 4S	1
449 126 120 0	ABS MAIN PLUG CABLE 12M	1
441 032 808 0	ABS SENSOR READER	4
899 760 510 4	ABS SENSOR BUSH	4
449 712 038 0	ABS SENSOR ADD. CABLE	4
813 000 017 3	ABS LABEL	1
475 715 500 0	AUTO EMERGENCY RELAY	1



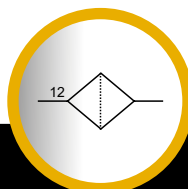
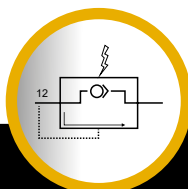
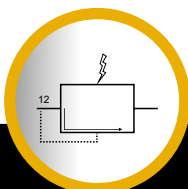
go to web page

Technical Details

SET CODE: PT32000000001 / PT32000000002

Reference: 400 605 191 0 / 400 605 183 0

Type	Product Name	PCS
480 102 033 0	2S MODULATOR	1
971 002 912 0	PREV VALVE	1
463 084 041 0	LIFT AXLE VALVE	1
449 413 050 0	VALVE CABLE 5M	1
463 032 020 0	ROTARY SLIDE VALVE	1
464 006 201 0	BALANCE VALVE W/SWITCH	1
952 201 012 0	COUPLING RED	1
952 201 011 0	COUPLING YELLOW	1
449 173 120 0	MAIN PLUG CABLE	1
449 723 030 0	SENSOR ADD. CABLE 3M	2
441 032 808 0	SENSOR READER	2
899 760 510 4	BUSHING	2
433 401 003 0	LINKAGE	1
899 200 922 4	SYSTEM LABEL	1
813 000 009 3	EBS LABEL	1
813 000 008 3	SOCKET LABEL	1





ROTARY SLIDE VALVE



go to web page

Technical Details

Reference: 463 032 020 0 **WABCO:** PT3422000011

PORTER: PT3421000004

TRAILER RELEASE VALVE



go to web page

Technical Details

Reference: 963 001 051 0 **WABCO:** PT3422000006

PORTER: PT3421000002

PREV



go to web page

Technical Details

Reference: 971 002 900 0 **WABCO:** PT3422000002

PORTER: PT3421000003

LOAD SENSING VALVE



go to web page

Technical Details

Reference: 475 712 000 0 **PORTER:** PT3410000001

**AUTOMATIC RELAY
EMERGENCY**



go to web page

Technical Details

Reference: 475 715 500 0 **WABCO:** PT3422000001

PORTER: PT3421000001

QUICK RELEASE VALVE



go to web page

Technical Details

PORTER: PT3410000009



MANUAL LIFTING



go to web page

Technical Details

Reference: 463 084 000 0 **PORTER:** PT34210000005

PROTECTION VALVE



go to web page

Technical Details

Reference: 201 002 001 **PORTER:** PT34100000007

AXLE LIFTING VALVE W/CABLE



go to web page

Technical Details

Reference: 463 084 041 0 **WABCO:** PT34220000003

PORTER: PT34100000006

SOLENOID VALVE W / CABLE



go to web page

Technical Details

Reference: 472 170 600 0 **WABCO:** PT34220000013

PORTER: PT34100000012

LIFTING BOX / PULLER LIFTER



go to web page

Technical Details

TIRPAR PULLER: PT34100000011 **REXROTH:** PT34220000012

PORTER: PT34100000010

RELAY VALVE

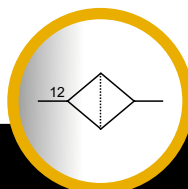
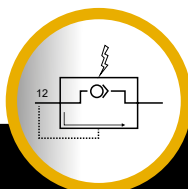
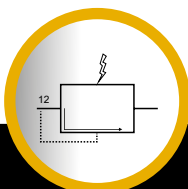


go to web page

Technical Details

Reference: 973 001 020 0 **WABCO:** PT34220000010

PORTER: PT34100000004





CHARGING VALVE 5-7 BAR



go to web page

Technical Details

Reference: 434 100 125 0 **WABCO:** PT34220000014

PORTER: PT34100000014

BRAKE COUPLING YELLOW



go to web page

Technical Details

Reference: 952 201 011 0 **WABCO W/FILTER:** PT34220000015

PORTER: PT34100000018 **PORTER W/FILTER:** PT34100000016

BRAKE COUPLING RED



go to web page

Technical Details

Reference: 952 201 012 0 **WABCO W/FILTER:** PT34220000016

PORTER: PT34100000019 **PORTER W/FILTER:** PT34100000017

POLYAMIDE HOSES



go to web page

Technical Details

Ø8X1MM: PT37100000001 **Ø10X1MM:** PT37100000002

Ø12X1,5MM: PT37100000003 **Ø15X1,5MM:** PT37100000004

LEVELLING VALVE NEW



go to web page

Technical Details

Reference: 464 006 002 0 **WABCO:** TP34220000008

TIRPAR: TP34100000002

LEVELLING VALVE W/SWITCH



go to web page

Technical Details

Reference: 464 006 100 0 **WABCO:** PT34220000007

PORTER: PT34100000003

PORTER[®]
TRAILER PARTS

Professional
Preference

Stock and Experience !
Quality and Trust !



Trailer Parts / OTHER TRAILER EQUIPMENTS



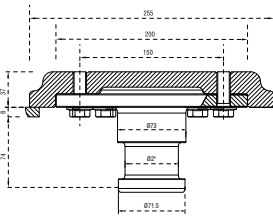
KING PIN 2"



Technical Drawing

Reference: KZ-1008

go to web page



Technical Details

W / GE: PT4211000002

JOST: PT4221000001

PORTER: PT4211000001

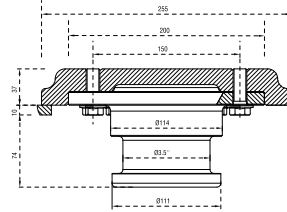
KING PIN 3,5"



Technical Drawing

Reference: KZ-1410

go to web page



Technical Details

JOST: PT4222000001

PORTER: PT4212000001

CONICAL KING PIN 2"



Technical Details

Reference: KZ-1112

CODE: PT4211000003

go to web page

CONICAL KING PIN 3,5"

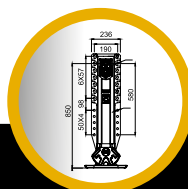
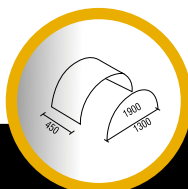
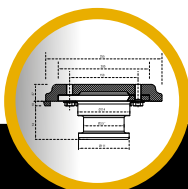


Technical Details

Reference: KZ-1116

CODE: PT4211000004

go to web page





**MUDGUARD SINGLE TYRE
ISUZU / IVECO**



go to web page

Technical Details

CODE: PT4311200008

**MUDGUARD SINGLE TYRE
W / STRIPE
ISUZU / IVECO 50X145**



go to web page

Technical Details

CODE: PT4311200007

**HALF MUDGUARD
SINGLE TYRE
SCHMITZ**



go to web page

Technical Details

CODE: PT43112000011

**MUDGUARD
KRONE BACK**



go to web page

Technical Details

CODE: PT43112000041

**MUDGUARD
KRONE FRONT**



go to web page

Technical Details

CODE: PT43112000063

**CLEARPAS
395X700**

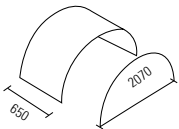


go to web page

Technical Details

CODE: PT49700000001

MUDGUARD DOUBLE TYRE

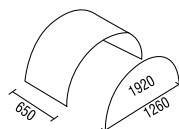


go to web page

Technical Details

CODE: PT43112000001

**MUDGUARD DOUBLE
TYRE W / STRIPE**



go to web page

Technical Details

CODE: PT43112000003

**HALF MUDGUARD
DOUBLE TYRE**



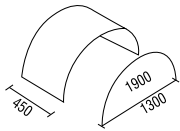
go to web page

Technical Details

HALF MUDGUARD DOUBLE TYRE: 65X90CM CODE: PT43112000005



MUDGUARD SINGLE TYRE

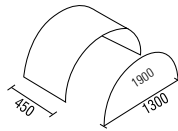


go to web page

Technical Details

CODE: PT4311100001

MUDGUARD SINGLE TYRE W / STRIPE



go to web page

Technical Details

CODE: PT4311100002

HALF MUDGUARD SINGLE TYRE



go to web page

Technical Details

HALF MUDGUARD SINGLE TYRE 45X90CM CODE: PT4311100004

MUDGUARD PIPE

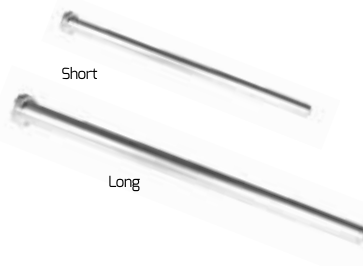


go to web page

Technical Details

SHORT 53 CM: PT4311000007 LONG 75 CM: PT4311000006

MUDGUARD PIPE



go to web page

Technical Details

SHORT 53 CM: PT4311000001 LONG 75 CM: PT4311000002

MUDGUARD CONNECTOR



go to web page

Technical Details

PLASTIC: PT4311000004 METAL: PT4311000003

FIRE BOX

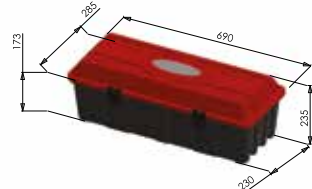


go to web page

Technical Details

CODE: PT4330000001

FIRE BOX



go to web page

Technical Details

CODE: PT4330000002

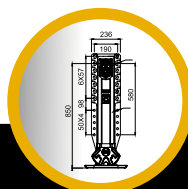
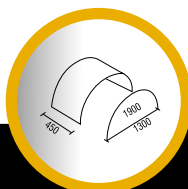
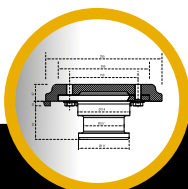
WHEEL WEDGE



go to web page

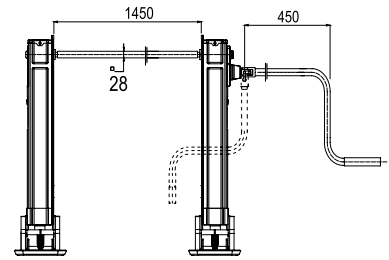
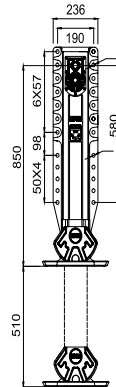
Technical Details

WHEEL WEDGE CODE: PT4320000005
WHEEL WEDGE HEAVY TYPE CODE: PT4320000001
WHEEL WEDGE LIGHT TYPE CODE: PT4320000002





LANDING GEAR OMS



go to web page

Technical Drawing

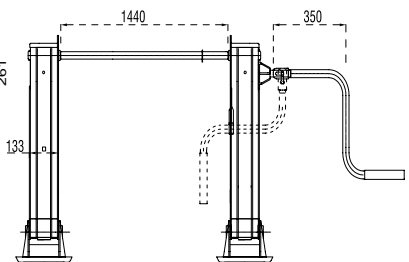
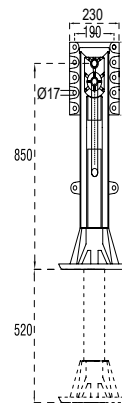
Technical Details

STABLE PAD: PT41110000001

SPRING PAD: PT41120000004

STABLE SHORT: PT41120000002

LANDING GEAR JOST



go to web page

Technical Drawing

Technical Details

Reference: 201/500 SERIE

STABLE PAD: PT41210000001

SPRING PAD: PT41220000002



KARIA LAMP SET



go to web page

Technical Details

13M DAMPER :PT47100000003 17M TRAILER:PT47100000004



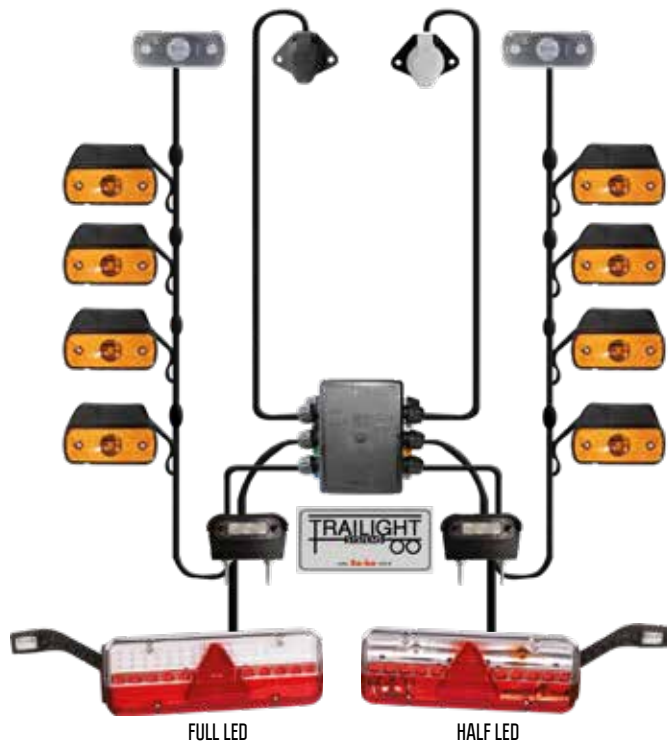
MODULAMP SET



go to web page

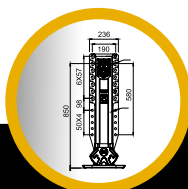
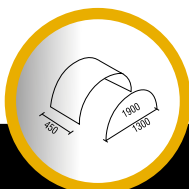
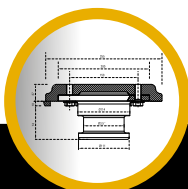
Technical Details

13M DAMPER :PT47100000006 17M TRAILER:PT47100000007



FULL LED

HALF LED





TOOLBOX METAL



go to web page

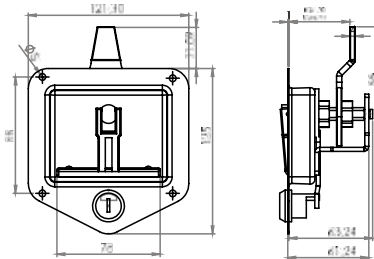
Technical Details

100 CM: PT49400000001

120 CM: PT49400000002

150 CM: PT49400000003

TOOLBOX LOCK



go to web page

Technical Details

CODE: PT49410000001

TOOLBOX



go to web page

Technical Details

50X48X45CM: PT43400000008

60X48X45CM: PT43400000010

80X48X45CM: PT43400000012

TOOLBOX



go to web page

Technical Details

40 CM: PT43400000004

50 CM: PT43400000002

60 CM: PT43400000001

TOOLBOX



go to web page

Technical Details

80 CM: PT43400000003

TOOLBOX



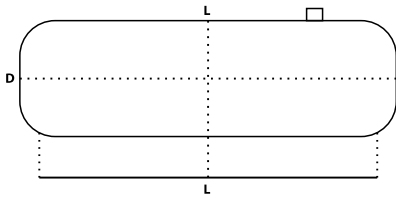
go to web page

Technical Details

100 CM: PT49400000005



OIL TANK



	D	L
120L	1100	380
150L	1350	380
180L	1250	450



go to web page



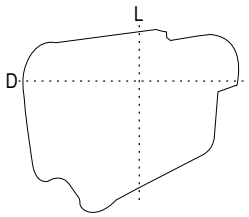
Technical Details

120 L: PT45000000001

180 CM: PT45000000003

150 L: PT45000000002

WATER TANK PLASTIC



	L	D
30 L	36	34
50 L	42	44



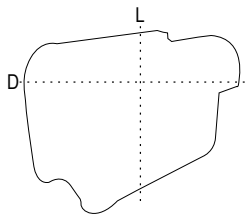
go to web page



Technical Details

30 L: PT44100000001

WATER TANK PLASTIC



	L	D
30 L	36	34
50 L	42	44

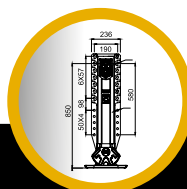
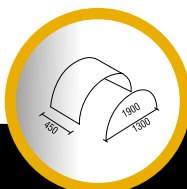
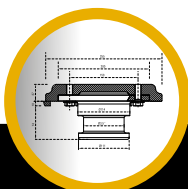


go to web page



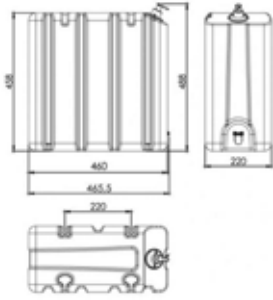
Technical Details

50 L: PT44100000002





WATER TANK PLASTIC



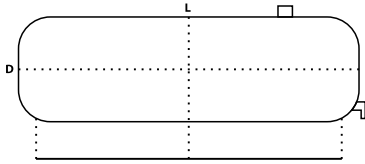
go to web page

Technical Details

45L: PT4410000003



WATER TANK CHROME / GALVANIZED



	D	L
25 L	40	28
35 L	60	28
60 L	50	38
70 L	60	38
90 L	80	38



go to web page

Technical Details

25L: PT4420000001

35L: PT4420000002

60L: PT4420000003

70L: PT4420000004

90L: PT4420000005



**A. PROFILE
SIDE PLASTIC COVER**



go to web page

Technical Details

PLASTIC CORNER GUARD



go to web page

Technical Details

SMALL: PT4910000011

BIG: PT4910000012



ALLOY RIM



Technical Details

go to web page

DISC TYPE: PT49510000001

DRUM TYPE: PT49510000002

GUARD RAIL



Technical Details

go to web page

50 CM: PT49300000002

70 CM: PT49300000001

GUARD RAIL



Technical Details

go to web page

50 CM: PT49300000004

70 CM: PT49300000003

ALUMINUM PROFILE



Technical Details

go to web page

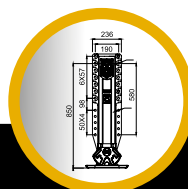
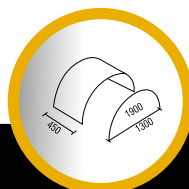
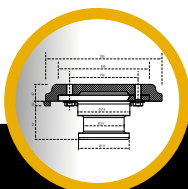
600 CM PROFILE

600 CM CORNER PROFILE

PT49100000007

PT49100000010

* Various lengths are available. There is also a plastic model of the corner profile.



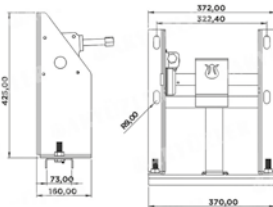


SPARE WHELL CARRIER TRAILER



go to web page

Technical Drawing



Technical Details

CODE: PT4610000001

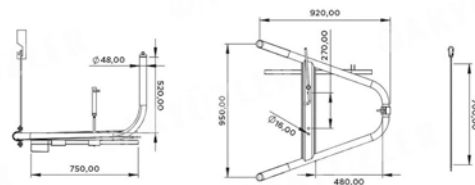
SPARE WHELL CARRIER PLATFORM



go to web page

Technical Drawing

Reference: KZ-1410



Technical Details

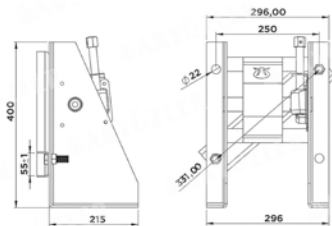
CODE: PT4620000002

SPARE WHELL CARRIER TRUCK



go to web page

Technical Drawing



Technical Details

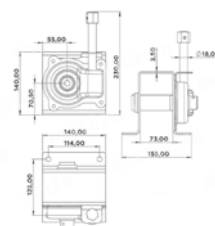
CODE: PT4610000002

SPARE WHELL WINCH



go to web page

Technical Drawing



Technical Details

CODE: PT4610000003



TWIST LOCKER SINGLE BIG



go to web page

Technical Details

CODE : PT4960000002

TWIST LOCKER SINGLE SMALL



go to web page

Technical Details

CODE : PT4960000001

MANOMETER



go to web page

Technical Details

CODE : PT3421000006

FITTINGS

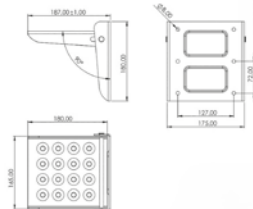


go to web page

Technical Details

*AVAILABLE FOR DIFFERENT BRAKE AIR SYSTEMS.

STEP

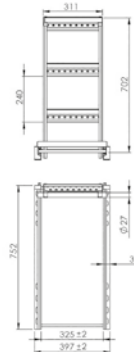


go to web page

Technical Details

CODE : PT99000000011

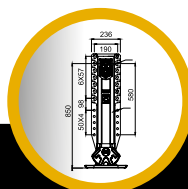
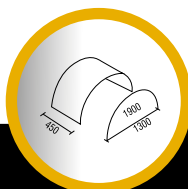
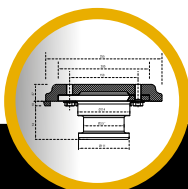
STEP LADDER



go to web page

Technical Details

CODE : PT99000000010





STICKERS LONG VEHICLE

LONG VEHICLE



go to web page

Technical Details

CODE: PT49200000005

STICKERS



go to web page

Technical Details

60 STICKER: PT49200000001

70 STICKER: PT49200000002

80 STICKER: PT49200000003

TR STICKER: PT49200000004

REFLECTIVE BANDS



go to web page

Technical Details

YELLOW : PT48100000002

WHITE: PT48100000001

RED : PT48100000003

REFLECTOR CE CERTIFIED



go to web page

Technical Details

CODE: PT48300000004

CODE: PT48300000006

TRAILER WARNING LABELS



go to web page

Technical Details

CODE: PT49200000006



■ REQUEST FORM / ÖZEL SETLER TALEP FORMU

TYPE

AIR SUSPENSION MECHANICAL

STANDART / BOGIE

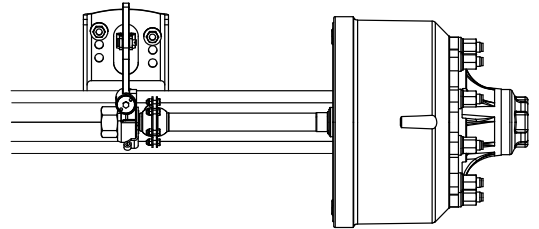
- OUT TO OUT MM
- TRACK MM
- LEAF CENTER MM
- CHAMBERS MM
- DRIVE HEIGHT MM
- HANGER THICKNESS MM
- LEAVESMM / LAYERS
- RIM: / /R

SELF STEERING

- OUT TO OUT MM
- TRACK MM
- LEAF CENTER MM
- CHAMBERS MM
- DRIVE HEIGHT MM
- HANGER THICKNESS MM
- LEAVESMM / LAYERS

CAPACITY

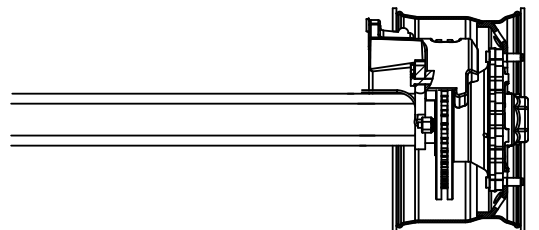
- 9/12 TON SINGLE TYRE
- 14 TON DOUBLE TYRE
- 16 TON



STD DRUM 420*200MM 10 BOLTS

17.5" JUMBO DRUM

19.5" JUMBO DRUM



DISC BRAKE 420*200MM 0 OFFSET

DISC BRAKE 420*200MM 120 OFFSET

QUALITY
IMPROVES WITH
EXPERIENCE





**quality is developed
with experience**

PORTER[®]
TRAILER PARTS



PORTER[®]
TRAILER PARTS